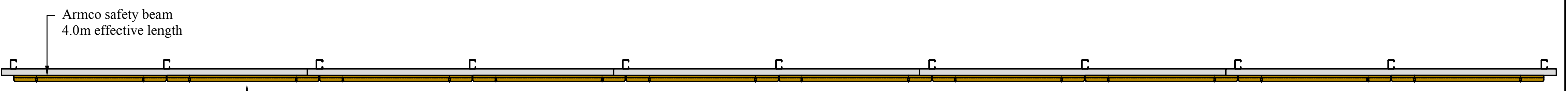
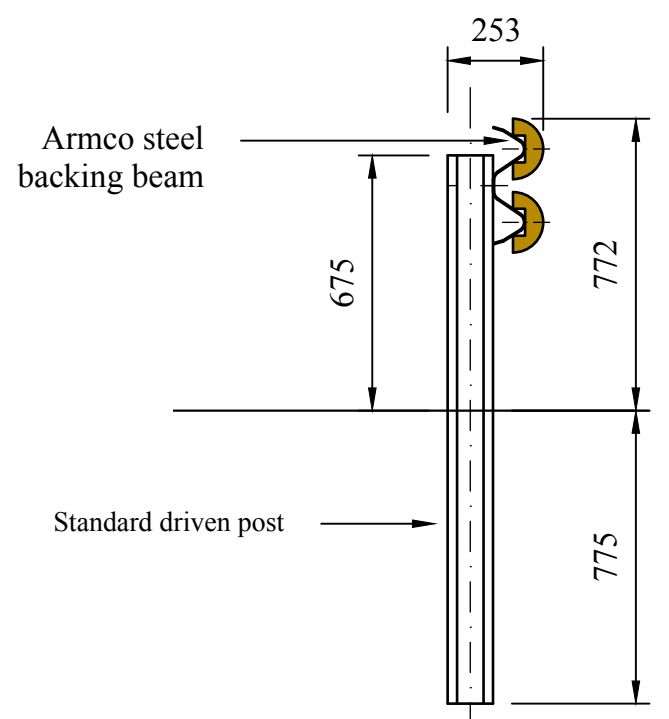


ROAD SIDE ELEVATION
Scale 1:50



PLAN VIEW
Scale 1:50



TYPICAL SECTION
Scale 1:20

NOTES:

1. All dimensions in millimetres.
2. Drawing shows N2 W2 system in wooden clad safety fence with armco backing beam with standard driven posts.
3. For posts set in concrete footings refer to drawing TRV2M-GA-02

FERROSTRADA (UK) LIMITED
Venlaw House
Burston Road
The Heywood
South Norfolk
IP22 5SX
Tel: +44 (0) 1379 308 051
Fax: +44 (0) 1379 308 053
Email: admin@ferrostrada-uk.com



DRAWING POSITION	N/A	DESCRIPTION	N2 W2 WOODEN CLAD VRS WITH STANDARD DRIVEN POSTS		
MATERIAL	WOOD /CORTEN STEEL	CUSTOMER	CUSTOMER SERVICES		
TOLERANCE	+/- 3%	PRODUCT	TRV N2 BL2	DRG. No.	SH.
FINISH		DATE	14 November 2018	TRV2M-GA-01	REV. 1 0
PRODUCT CODE		DRAWN	JMF		
		SCALE	AS SHOWN @ A3		